

## Electromechanical road barrier system for control of road access.

24 Vdc gear motor with built-in control unit.

**For bar up to 4 m.**

**Strength and reliability:** robust structure in steel, new high strength balancing springs guaranteed up to 1,000,000 opening and closing operations and elliptical section bar with high wind-gust resistance.

Optional flashing or traffic light can be integrated in cover.

**More comfort and safety in programming and maintenance phases:** the separate enclosures for electronics and mechanics protect internal parts from potential risks.

**Rapid and easy access** to the control unit located in the upper section of the barrier body.

Simple fixture of the completely concealed photocells onto the specially designed seats on the barrier body.

**More safety and reliability:** obstacle detection and monitoring of motor absorption during automation movement.

Automatic fault diagnostics during operation with consequent signalling of fault type through specific flash sequences.

Provision for connection of latest generation optical and resistive sensitive edges (with 8.2 KOhm resistance).

**Energy saving:** the system sets to standby when not in use to save consumption.

**No blackouts:** emergency backup power with the optional batteries housed inside the case.

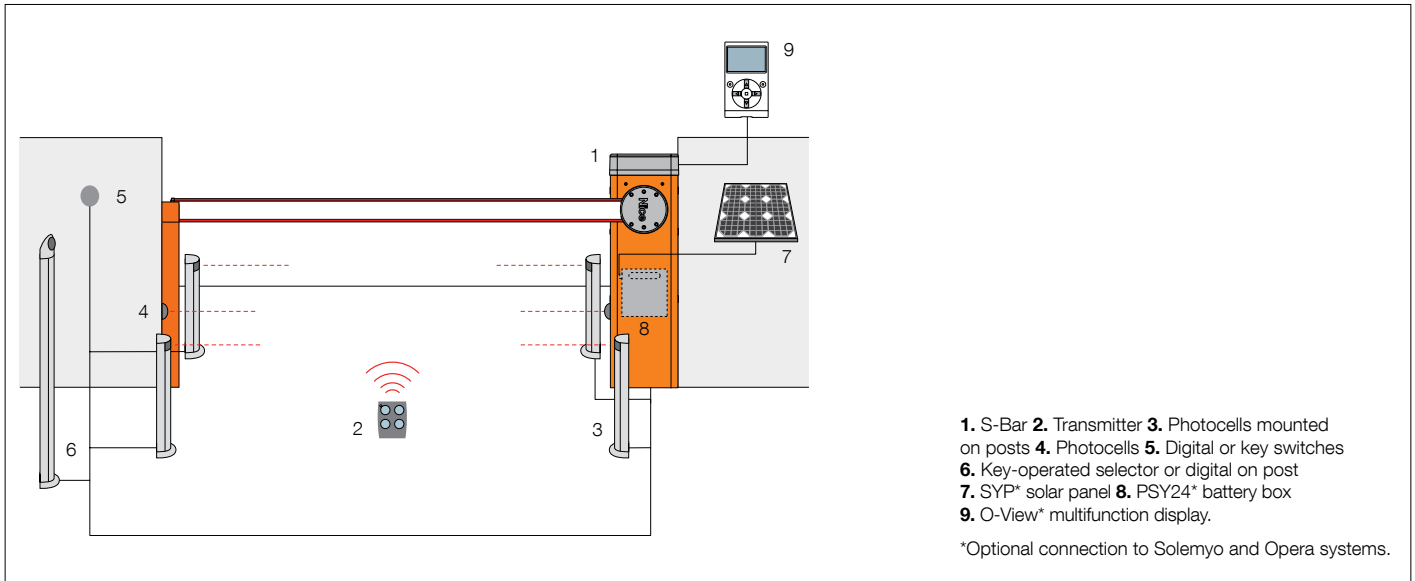
**Release from side with Nice triangular key,** can be installed on either side.

**With bar up to 4 m,** irreversible 230 Vac, 24 Vdc motor, with foundation plate:

Code	Description
<b>SBAR</b>	With steel case with protective cataphoresis treatment and paint finish
<b>SBARI</b>	With stainless steel case

### Technical specifications

Code	SBAR	SBARI
<b>Electrical data</b>		
Power supply (Vac 50/60 Hz)	230	
Power supply (Vdc)	24	
Absorption (A)	1	
Power (W)	300	
<b>Performance data</b>		
Speed (s)	<4	
Torque (Nm)	100	
Work cycle (cycles/hour)	100	
<b>Dimensional and general data</b>		
Protection level (IP)	44	
Working temp. (°C Min/Max)	-20 ÷ +50	
Dimensions (mm)	330x180x1180 h	
Weight (kg)	46	



### Accessories



**XBA20**  
Spare control unit for SBAR.  
Pc/pack 1



**PS124**  
24 V battery with integrated battery charger.  
Pc/pack 1



**XBA19**  
White paint-finished aluminium bar 45x58x4000 mm.  
Pc/pack 1



**XBA13**  
Rubber impact protection strip. Length 1 m.  
Pc/pack 9



**WA10**  
Red adhesive reflector strips.  
Pc/pack 24



**SIA1**  
Anchorage base with clamps.  
Pc/pack 1



**XBA7**  
Integrable flashing light.  
Pc/pack 1



**XBA4**  
Indicator lights for click fixture on upper or lower side of bar. Length 4 m.  
Pc/pack 1



**WA11**  
Adjustable stand for bars.  
Pc/pack 1